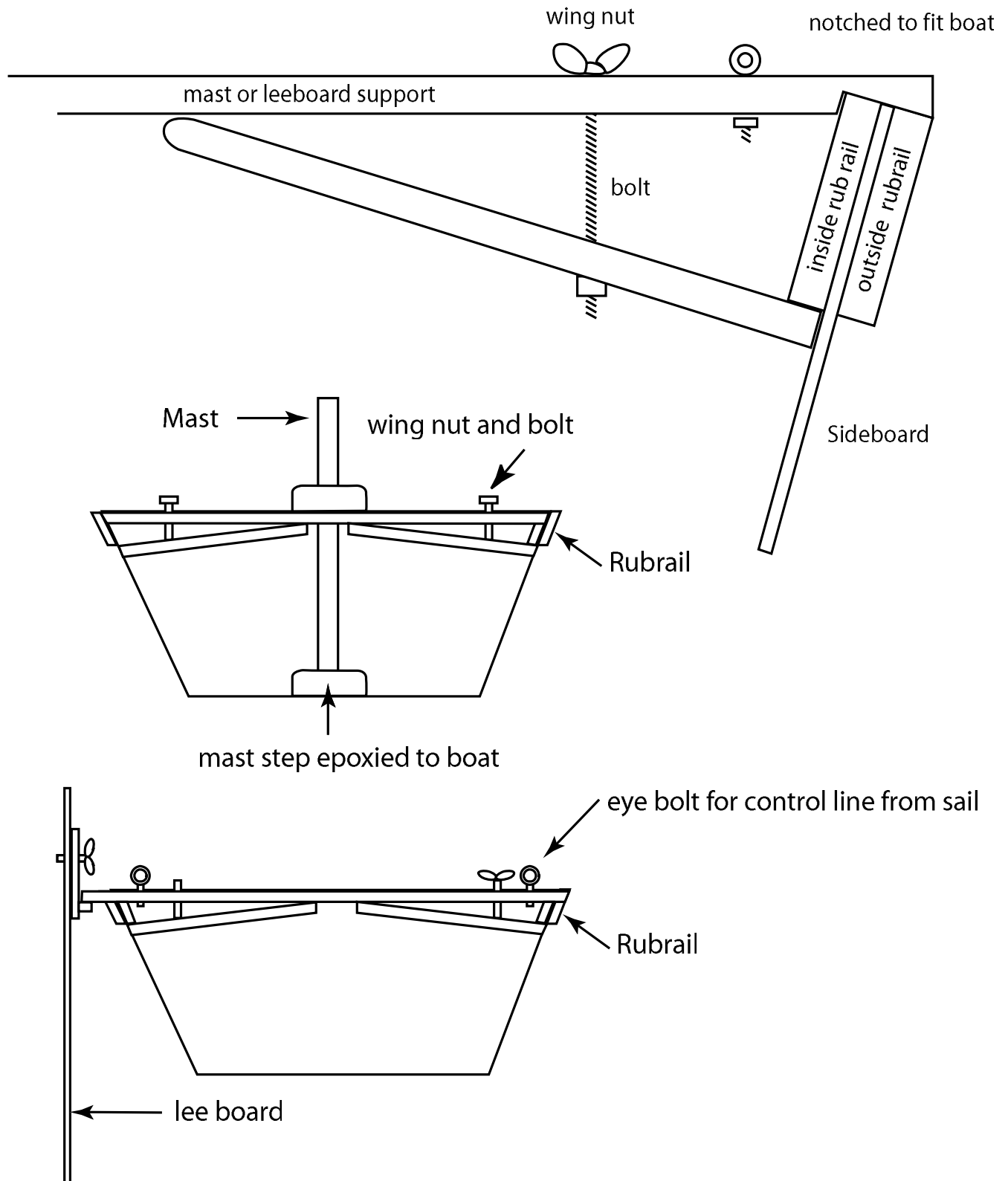
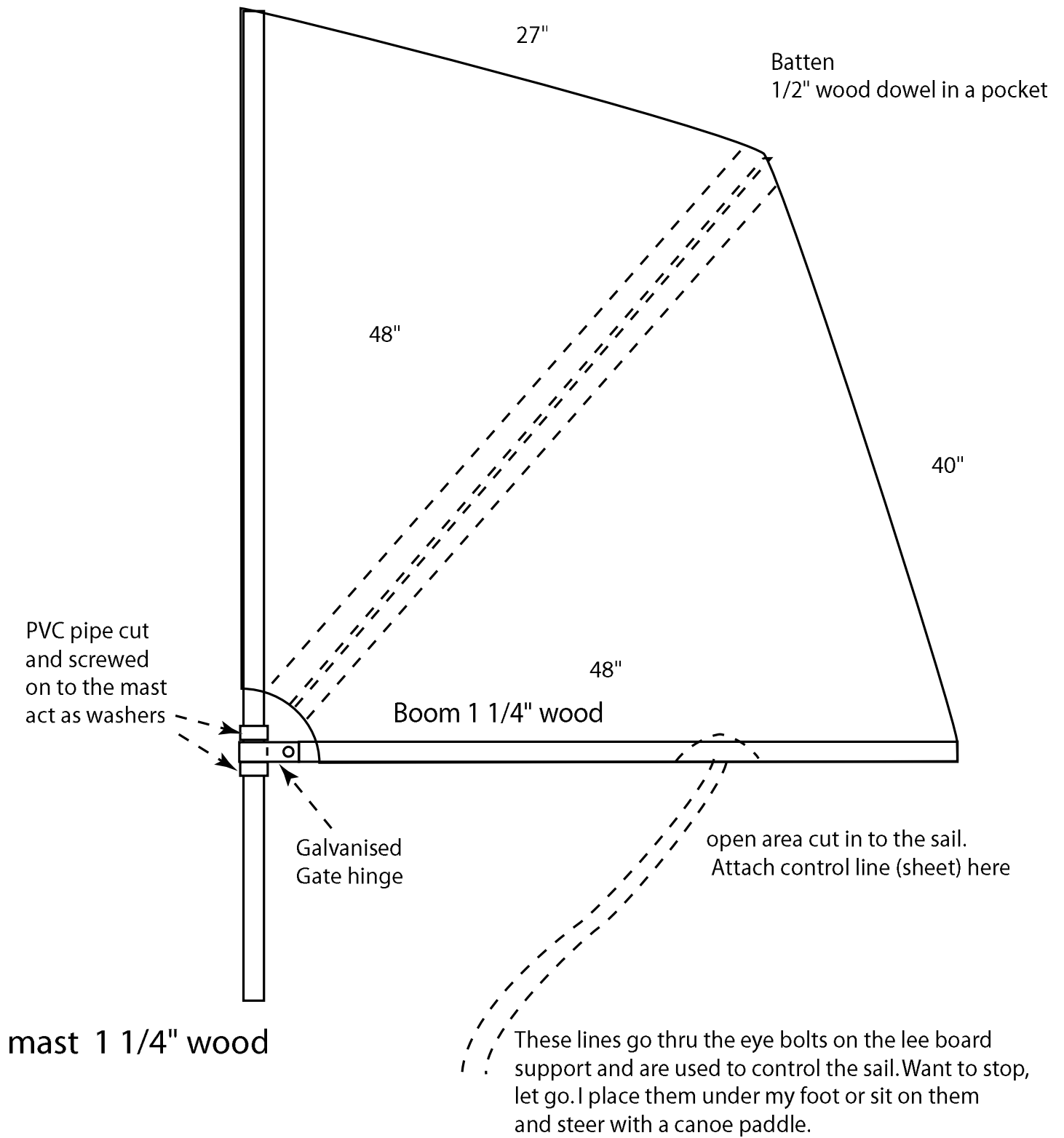
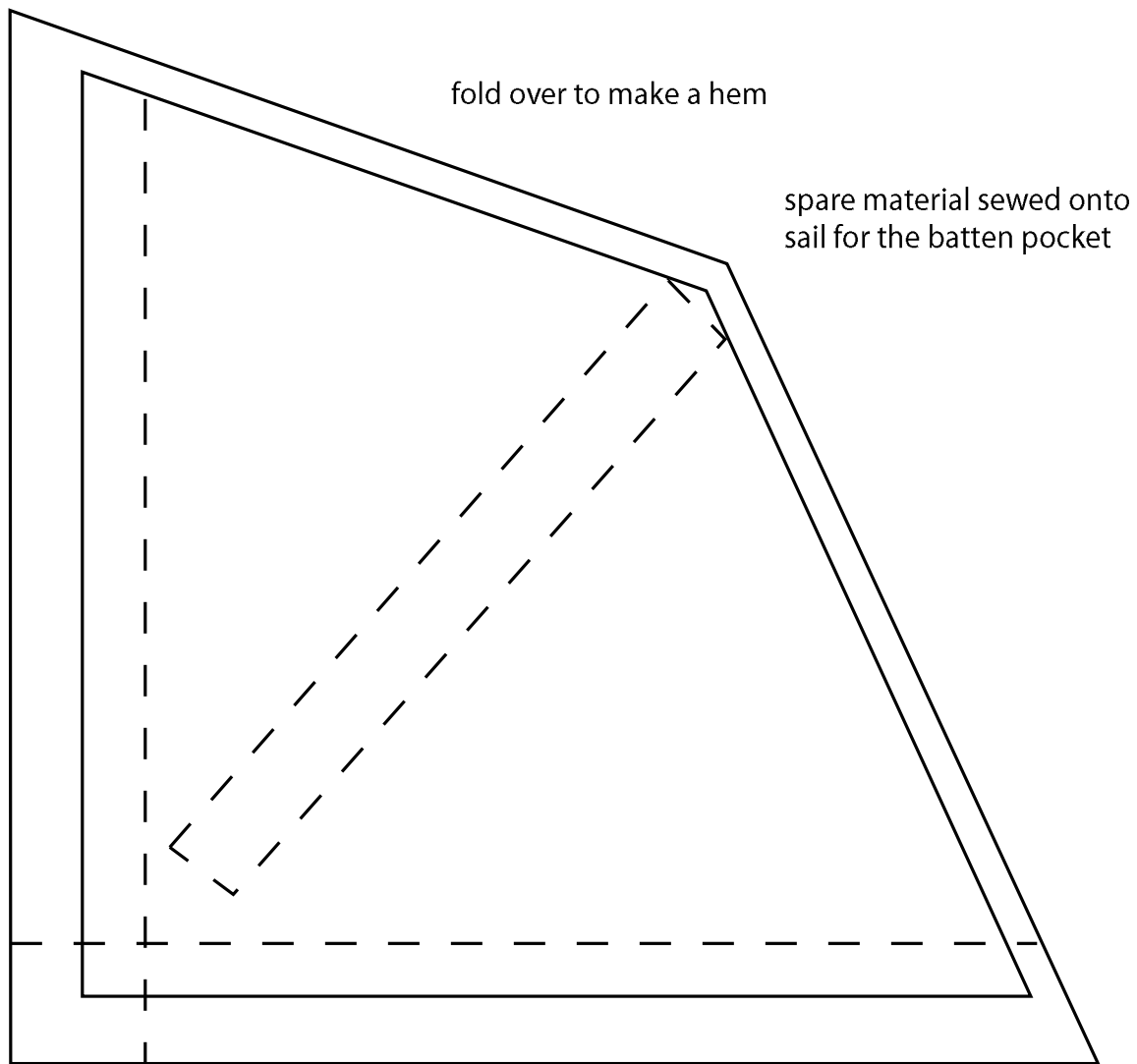


Everything is a clamp or pressure fit except for the mast step which is screwed or epoxied to the hull. It is necessary to have an inside rubrail for the sail rig to be attached, since it has to have a clamping surface.



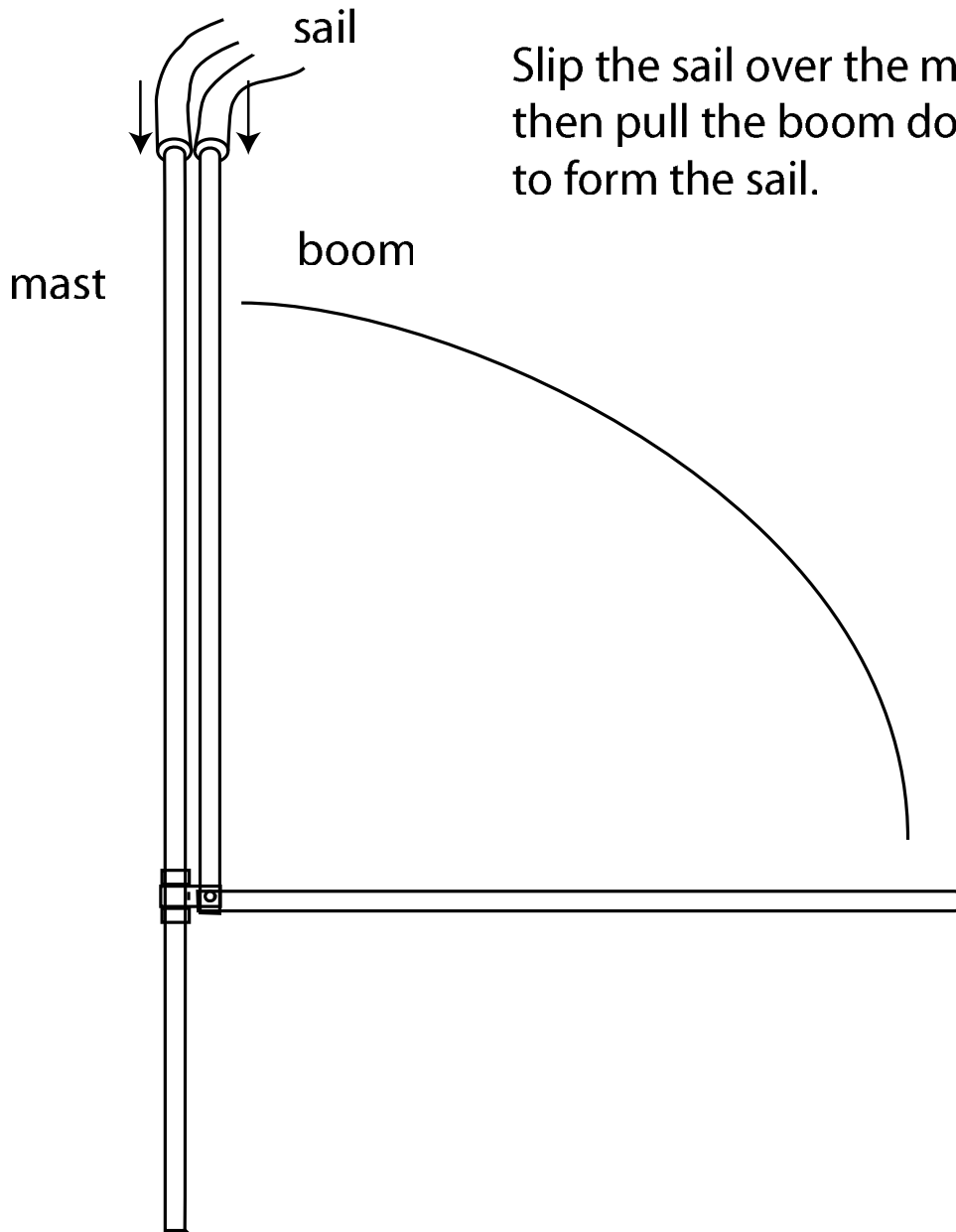


The sail is sewen with three pockets, one for the batten one for the mast and one for the boom



This corner folded to line to form a pocket for the mast
 Fold and sew to form a pocket for the boom.

The hem of the sail is made from a 1/2 inch piece folded over and the pocket is from a 2 1/2 inch piece folded over to form the pocket. So you need an extra 3 inches on the boom and mast areas and 1/2 inch on the free areas the Head and Leech. The pocket for the Batten is about 2 1/2 to 3 inches and sewed onto the sail.



Slip the sail over the mast and boom then pull the boom down 90 degrees to form the sail.